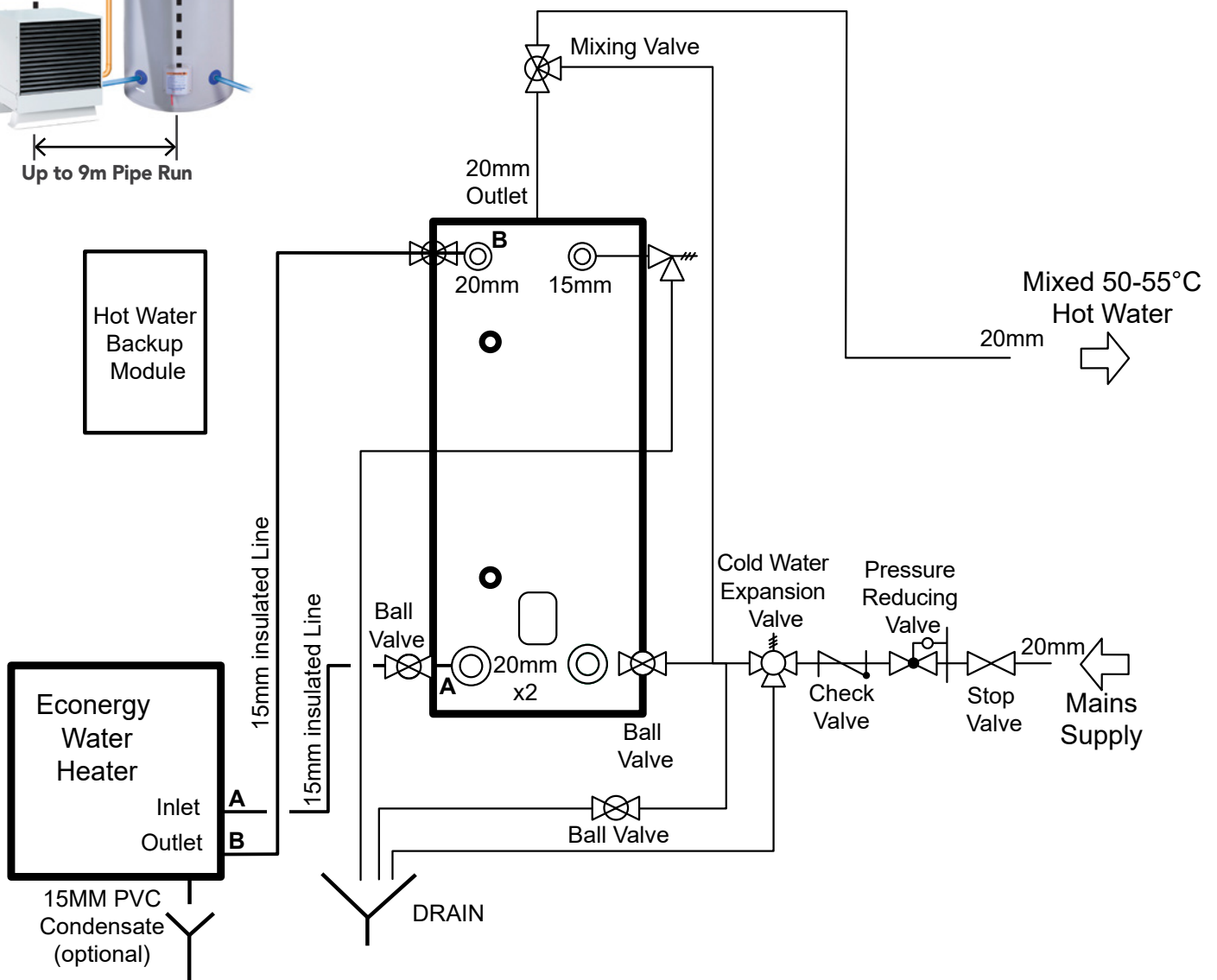




Piping Diagram for Connection to Econergy® Heat Pump Ready Hot Water Cylinder

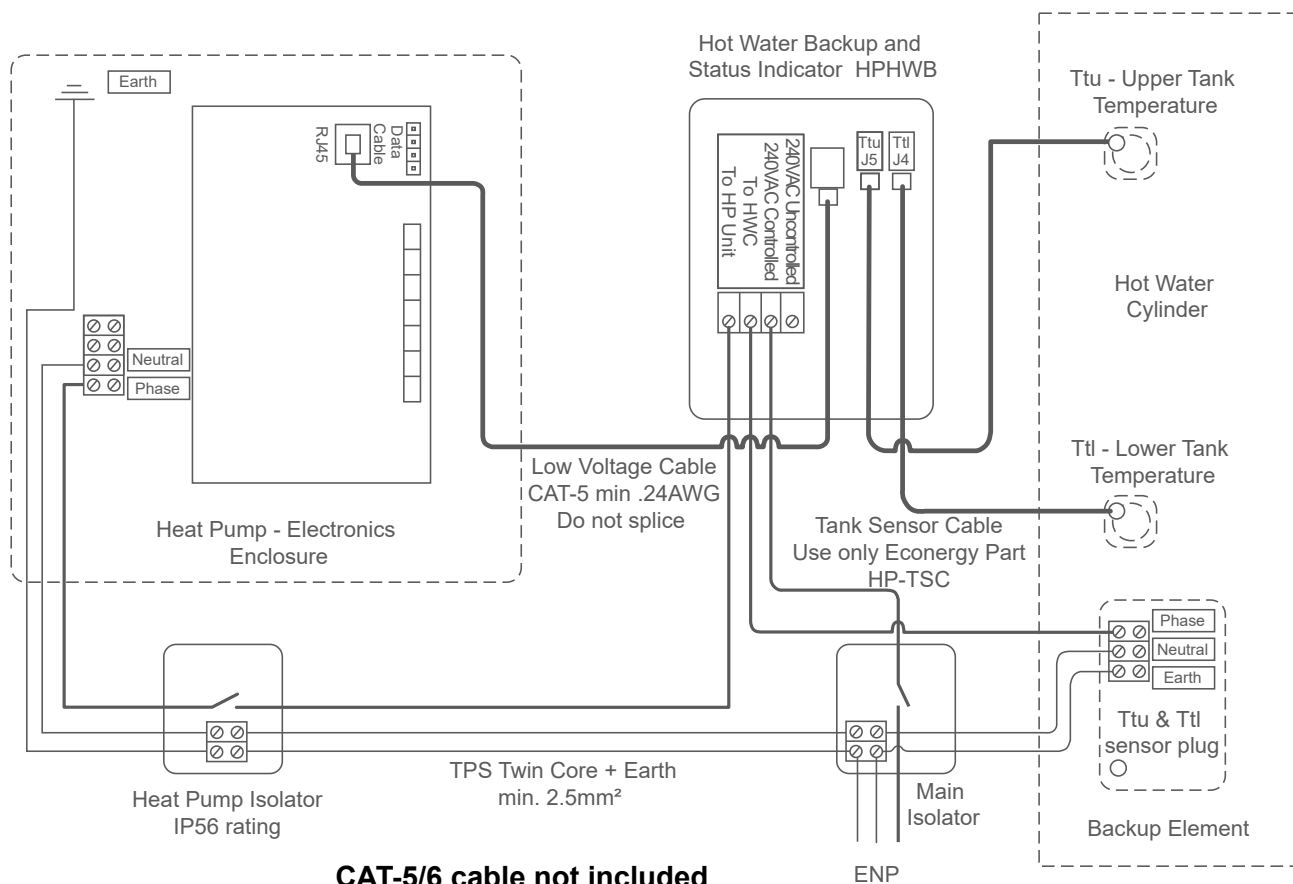
- FOR PLUMBER



Please ensure inlet (A) is plumbed to the bottom of the cylinder (A) and outlet (B) is plumbed to the top of the cylinder (B).

*For standard HWC please contact Hot Water Heat Pumps Ltd for further information

Wiring Diagram - FOR ELECTRICIAN



CAT-5/6 cable not included



WARNING: Incorrect connection of CAT cable may cause fault or board failure.

Warranty Registration and Installation Declaration Form

Please ensure the commissioning installer(s) completes this warranty registration and installation declaration form. Send to Hot Water Heat Pumps Ltd via post or email using the addresses below.

Owners Name _____

Product Serial Number _____

Installation Date _____

Installation address _____

Declaration: I have installed and commissioned this Econergy water heater at the above address in compliance with the manufacturer's instruction manual.

COC No: _____

Installer Name _____

Installer Company Name/ Trading Name _____

Signed _____

Date _____

Installer email address _____

Secondary installer (electrician or plumber) _____

Secondary Installer Company Name/ Trading Name _____

Signed _____

Date _____

Installer email address _____